



MANUFACTURING

Standard are the Obvious Con-Serv Qualities:

User Friendly ■ Quality Construction ■ Performance ■ Low Cost to Operate ■ Inexpensive to Purchase

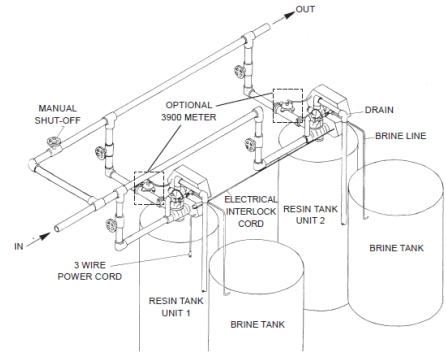
Water Softeners (twin tank)



Fleck 9000



Fleck 9500



Typical Fleck 3900 Twin Assembly

PART NUMBER	DESCRIPTION	Grains (per tank)	Valve	Inlet/Outlet	CFT Media (per tank)	Media Tank	Brine Tank w/ovrflw	Voltage
WCT- 1.0 CFT PT	TWIN ALTERNATING SOFTENER, 32K	32K	Fleck 9000	3/4"	1	9X48	18RX33	120/60
WCT- 1.5 CFT PT	TWIN ALTERNATING SOFTENER, 48K	48K	Fleck 9000	3/4"	1.5	10X54	18RX33	120/60
WCT- 2.0 CFT PT	TWIN ALTERNATING SOFTENER, 60K	60K	Fleck 9000	3/4"	2	12X52	18RX33	120/60
WCT- 3.0 CFT PT	TWIN ALTERNATING SOFTENER, 96K	96K	Fleck 9500	1 1/2"	3	14X65	24RX41	120/60
WCT- 4.0 CFT PT	TWIN ALTERNATING SOFTENER, 128K	128K	Fleck 9500	1 1/2"	4	16X65	24RX41	120/60
WCT- 5.0 CFT PT	TWIN ALTERNATING SOFTENER, 160K	160K	Fleck 9500	1 1/2"	5	18X65	24RX41	120/60
WCT- 7.0 CFT PT	TWIN ALTERNATING SOFTENER, 224K	224K	Fleck 9500	1 1/2"	7	21X65	24RX41	120/60
WCT- 10 CFT PT	TWIN ALTERNATING SOFTENER, 320K	320K	Fleck 9500	1 1/2"	10	24X72	24RX41	120/60
WCT- 10 CFT PT *	TWIN ALTERNATING SOFTENER, 320K	320K	Fleck 2900NXT	2"	10	24X72	30RX50	120/60
WCT- 15 CFT PT *	TWIN ALTERNATING SOFTENER, 450K	480K	Fleck 2900NXT	2"	15	30X72	30RX50	120/60
WCT- 20 CFT PT *	TWIN ALTERNATING SOFTENER, 600K	600K	Fleck 3900NXT	3"	20	36X72	30RX50	120/60
WCT- 30 CFT PT *	TWIN ALTERNATING SOFTENER, 900K	900K	Fleck 3900NXT	3"	30	42X72 6" T&B Flange	39RX60	120/60
WCT- 40 CFT PT *	TWIN ALTERNATING SOFTENER, 1.2MK	1.2K	Fleck 3900NXT	3"	40	48X72 6" T&B Flange	39RX60	120/60
WCT- 72 CFT PT *	TWIN ALTERNATING SOFTENER, 2.1MK	2.1K	Fleck 3900NXT	3"	72	63X86 6" T&B Flange	39RX60	120/60

* Depending on your requirements, it could be configured as a Twin Alternating or Flow on Demand System

Optional Features Available

Safety Brine Valve
220V/50HZ



NXT Controller